

Auto-Feeding Digital Die-Cutter

COMPACT & AUTOMATED WITH HIGH CAPACITY AUTO FEEDER FOR CUT, CREASE & KISS-CUT APPLICATIONS



POWERED BY
ColorCut Pro

Fully automated, ultra-reliable sheet cutting and creasing for packaging, point of sale and kiss cut labels

colorcut

QR code job recognition, enables mixed jobs to be processed effortlessly in the same stack!

colorcut

A revolutionary new type of automated cutter - blending flatbed and sheet fed technologies!

Perfect for digitally die-cutting packaging, P.O.S. and lightweight card projects – as well as kiss-cutting sheet labels – the all new ColorCut SC6000 is an 'on demand' digital sheet cutter with no physical dies or time-consuming setup costs.



Targeted for busy print departments, seeking an affordable, high-capacity device for complete unattended cutting production, the SC6000 combines **ultra-reliable feeding** with an **instant job retrieval** system and flawless **high-speed cutting and creasing**. This compact free-standing device is conveniently mobile and will be easily accommodated in any print shop.



Stack and produce mixed jobs in high-capacity feeder

Market-leading features

No dies required!
Cut, crease, perforate & kiss-cut digitally - to absolutely any shape!

- Digitally cut any shape sheet card item - with SmartTag retention - on up to 350 micron media. Leaving a tidy and manageable stack of finished complete sheets in the catch tray.
- Instantly retrieves cut files for every sheet on the fly! The feeder accepts a mixed stack of jobs - even rotated sheets - cutting one after the other in a seamless and uninterrupted flow.
- Dual 'Grip and Drive' feed system holds media during cutting on both sides of the cutting head, enabling it to cut closer to media edges.
- SmartMark registration delivers incredible accuracy - enabled via included ColorCut Pro software.
- Revolutionary cutting strip, based on the superior cutting mats used in Intec flatbeds, delivers an optimal surface for both cut-through, creasing and kiss-cut.
- Cut up to 340mm (13.38") x 710mm (20.47") A4, A3, SRA3 and custom sizes.
- High-capacity auto feeder (900 sheets) works in conjunction with air blade separation and automated jog function, to present every sheet perfectly for the cutter, every time.
- ColorCut Pro Production Studio software is supplied as standard and offers remarkable digital productivity for the designer and machine operator alike.

High-capacity, ultra-reliable feeding

The SC6000 has been designed to provide unattended operation with particular attention paid to the feeding system to ensure class-leading performance for card, vinyl, labels or even tricky laminated sheets.

The SC6000's auto-feeder accepts up to 900 sheets, which automatically raises and lowers as required. To prevent sheets curling, as a result of a constant air flow to the sides, the SC6000's uses an automatic air blade that fires a blast of air momentarily into the front of the stack, just as the advanced vacuum feed belt lowers to collect the top sheet using pneumatic suction. To further provide reliable feeding, the vacuum feed belt lifts the media, carrying any sheets not pre-separated by the air blade past a pair of dexterous separation fingers, which dislodges them. Finally before advancing the sheet into the cutting engine, the vacuum feed belt 'jogs' briefly against the rear paper stop (magnetic and moveable), creating a natural curve that helps ensure even difficult media feeds faultlessly.

Ergonomic, compact and mobile

The space-saving media catch tray slides away when not in use and the manoeuvrable stand ensures it is easily accommodated into any environment.

The 5 inch immersive touch screen control panel is housed within an articulated module which can pivot to suit the angle desired by the operator.

Easy to use automatic job retrieval

When creating jobs, ColorCut Pro applies an auto-assigned QR code* and page marks to each design, whilst auto-saving the cutting file to the ColorCut Pro Job Library.

Jobs with QR codes can be cut at a later date by any operator - no specific computer application skills required! The SC6000 checks the QR code on each sheet, retrieves the associated cut file and proceeds to cut and crease as required - even if the sheet is presented at 180°. Choose to cut a single sheet or even thousands, unattended.

The Vision3 CCD camera has an 8th generation sensor with enhanced sensitivity to read even white QR codes and SmartMarks, when printed on dark media.

*QR codes and SmartMarks are generated as part of the included ColorCut Pro software plugin which integrates with vector artwork created in Adobe® Illustrator® and CorelDRAW®

Dual tool power - digital accuracy

The digital cutting head can apply up to 750g of force, individually, for both the cutting and creasing tools. Their actions are controlled via the included ColorCut Pro Production Studio software. In common with the entire ColorCut family, the SC6000 can be set to apply exact amounts of pressure and speed, along with total control over the application of cut, crease, perforation or kiss-cut of vector artwork lines drawn in Adobe® Illustrator® or CorelDRAW®.



Optional ColorCut Pro Server Station - seriously enhance your productivity!

Supplied complete with a pre-installed Windows® PC and ColorCut Pro software suite, with a flat screen monitor, mouse and keyboard. Also includes software licence for two additional user seats.



Huge 900 sheet capacity stacker/feeder



Front air blades and separating fingers assist media separation to perfectly feed every sheet



Continuous vacuum belt lifts and feeds sheets onto cutting bed ready for cutting



Dual tool cutting with dual grip feeding and revolutionary cutting strip gives perfect results



Vision3 camera reads black or white QR codes to instantly retrieve associated cut files



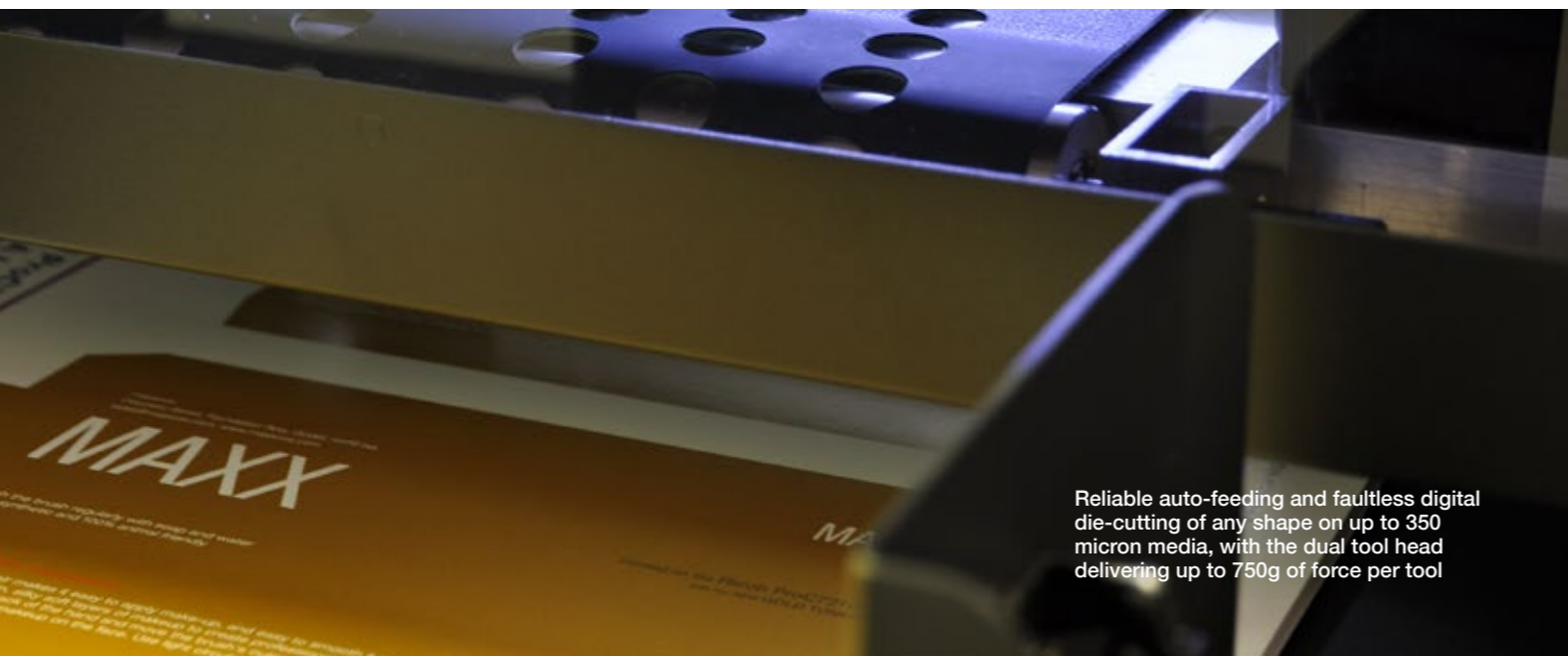
Space-saving, retractable media catch tray



Extendable media tray for longer media



Integral media storage area



Reliable auto-feeding and faultless digital die-cutting of any shape on up to 350 micron media, with the dual tool head delivering up to 750g of force per tool

PRODUCT ON WEBSITE

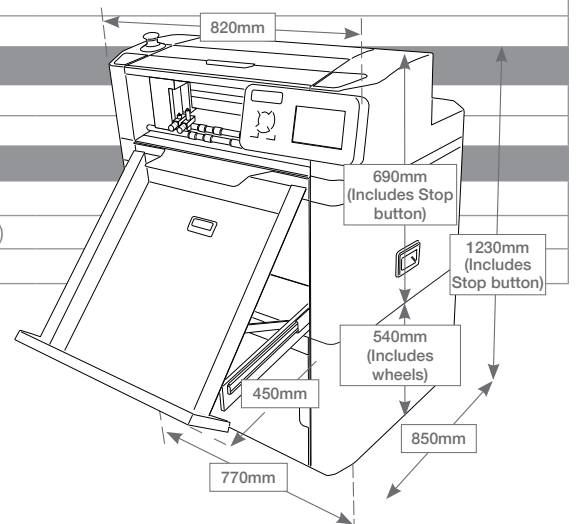


Technical Specifications



Intec ColorCut SC6000 Auto Sheet Cutter

| MEDIA HANDLING | | | | | | | | | |
|---------------------------------------|---|--------|---|-----|---|------|---|-----|---|
| Standard media sizes | A4 (210 x 297mm), A3 (297 x 420mm), SRA3 (320 x 450mm), A3+ (320 x 480mm) | | | | | | | | |
| Custom sized label media | Media width (min-max): 180mm x 340mm Media length (min-max): 279mm x 710mm | | | | | | | | |
| Media thickness | 0.14mm (140 micron) - 0.35mm (350 micron) | | | | | | | | |
| Auto-sheet capacity | 85mm stacker height or 15kg (Up to 900 sheets for auto-sheet feed, based on 80gsm media) | | | | | | | | |
| Media alignment | Self-centring guides - lockable | | | | | | | | |
| CUTTING CONTROL | | | | | | | | | |
| Mountable tools (dual tool holder) | Blade holder - holds cutting blades; 30°, 45° or 60° for range of media types Creasing tool - dual ended (wide & narrow) suitable for ≤350 micron card Calibration pen - pen, plotting pen used for auto-calibration. Can be used in either mountable location | | | | | | | | |
| Cutting blades | <table border="0"> <tr> <td>Yellow</td> <td>1mm 30° cemented carbide blade - for thin film and very soft material</td> </tr> <tr> <td>Red</td> <td>1mm 45° cemented carbide blade - for thin card up to 0.35mm and adhesive stickers</td> </tr> <tr> <td>Blue</td> <td>1mm 60° cemented carbide blade - for thick vinyl media, sharply angled tip provides a longer cutting edge</td> </tr> <tr> <td>Red</td> <td>1.5mm 45° industrial cutting blade for card based projects up to 350 micron</td> </tr> </table> | Yellow | 1mm 30° cemented carbide blade - for thin film and very soft material | Red | 1mm 45° cemented carbide blade - for thin card up to 0.35mm and adhesive stickers | Blue | 1mm 60° cemented carbide blade - for thick vinyl media, sharply angled tip provides a longer cutting edge | Red | 1.5mm 45° industrial cutting blade for card based projects up to 350 micron |
| Yellow | 1mm 30° cemented carbide blade - for thin film and very soft material | | | | | | | | |
| Red | 1mm 45° cemented carbide blade - for thin card up to 0.35mm and adhesive stickers | | | | | | | | |
| Blue | 1mm 60° cemented carbide blade - for thick vinyl media, sharply angled tip provides a longer cutting edge | | | | | | | | |
| Red | 1.5mm 45° industrial cutting blade for card based projects up to 350 micron | | | | | | | | |
| Cutting system (force) | Contour cutter, with up to 7.60N (750gf) delivered in 190 steps programmable through Intec ColorCut Pro cutting software | | | | | | | | |
| Mechanical / Programme resolution | 0.01254mm / HPGL 0.025mm | | | | | | | | |
| Maximum speed | 960mm/s | | | | | | | | |
| SOFTWARE & CONNECTIVITY | | | | | | | | | |
| ColorCut Pro 3 – Plugin (PC) | ColorCut Pro 3 plug-in (all features available). ColorCut Pro sends projects designed in Adobe® Illustrator® or CorelDRAW® directly to Intec ColorCut label cutter with no need to convert them to a different format. Requires: PC - Adobe® Illustrator® CS1 – CS6, CC, CC2014 - CC2023, or CorelDRAW® X4 - X8, 2017 - 2021 | | | | | | | | |
| ColorCut Pro 3 – Plugin (Mac) | ColorCut Pro 3 Plugin for Mac enables the ColorCut Pro Job Library Client. Mac users add cut marks automatically to Illustrator files and assign Job numbers and QR codes. The jobs are sent to the remote ColorCut Pro Job Library on a PC for cutting. Requires: Illustrator CC2018- 2023 | | | | | | | | |
| ColorCut Pro 3 – Standalone | ColorCut Pro – Job Server version of ColorCut Pro is PC only and enables jobs created by the ColorCut Pro plugin (above) to be cut at any time, without requiring Adobe® Illustrator® or CorelDRAW® and without having to re-open the original file | | | | | | | | |
| PC minimum specification | 64-bit. 2 GB of RAM (4 GB recommended). Minimum display resolution: 960x830. For live preview PC must have Wi-Fi capability for direct connection to Vision3 CCD camera (USB Wi-Fi dongle included) | | | | | | | | |
| Connectivity | USB (1 connection to PC is required) | | | | | | | | |
| REGISTRATION CONTROL & JOB MANAGEMENT | | | | | | | | | |
| Registration system | Vision3 - High resolution CCD vision system reads the registration marks on the media, comparing position with original digital file. Automatically adjusting cut lines to correct any scale or skew positional differences | | | | | | | | |
| Cut position accuracy | +/- 100 micron | | | | | | | | |
| Auto job recognition | Yes: Instant cut file retrieval, supported through QR code job recognition in conjunction with ColorCut Pro 3 software (supplied) | | | | | | | | |
| Varied or mixed job recognition | Yes | | | | | | | | |
| POWER REQUIREMENTS | | | | | | | | | |
| Power supply | 100-240V, 50/60Hz, 320W | | | | | | | | |
| Approvals | Complies with CE and RoHs directive | | | | | | | | |
| GENERAL | | | | | | | | | |
| Weight (unpacked) | 136kgs (300lbs) | | | | | | | | |
| Dimensions W x D x H | 820 x 850 x 1230mm (32.3 x 33.46 x 48.43 inches) | | | | | | | | |
| Max' area required in use | 820 x 1300 x 1230mm (32.3 x 51 x 48.43 inches) | | | | | | | | |



intec

Intec Printing Solutions Limited
 Unit 11B, Dawkins Industrial Estate, Poole, Dorset BH15 4JP UK
 Tel: +44 (0) 1202 845 960
 Email: sales@intecprinters.com
www.intecprinters.com

Plockmatic Group